

Masport®

INBUILT GAS FIRES

SOFIA / MADRID Natural Gas / LPG - EIS

Part Numbers	Sofia (complete with fascia)	Natural Gas	990947	Page 2
	Sofia (complete with fascia)	LPG	990948	Page 2
	Madrid (complete with fascia) <i>EIS</i>	Natural Gas	990949 <i>EIS</i>	Page 6 <i>built to 09/08/04</i>
	Madrid (complete with fascia)	LPG	990950	Page 6
Fans	Fan Assy-Two Speed - DE - Sofia	Black	790264	Page 10
	Fan Assy-Two Speed - DE - Madrid	Black	790395	Page 10
	Zero Clearance Kit		990940	Page 11
Fascias	Bevelled - Sofia	Black	990938	Page 12
	Zero Clearance - Sofia/Madrid	Black	990951	Page 13
	Bevelled - Madrid	Black	990942	Page 14
	Narrow - Sofia / Madrid	Black	990944	Page 15
	Deep - Sofia	Black	990954	Page 16
	Deep - Madrid	Black	990953	Page 17
Flues	Masonry Flue Kit	588637	Page 18	
	Zero Clearance	588650	Page 19	

From Serial Number 4012311

4012344 990935 MADRID EIS 18/09/03

Month and Year of Manufacture: August 2003



SOFIA



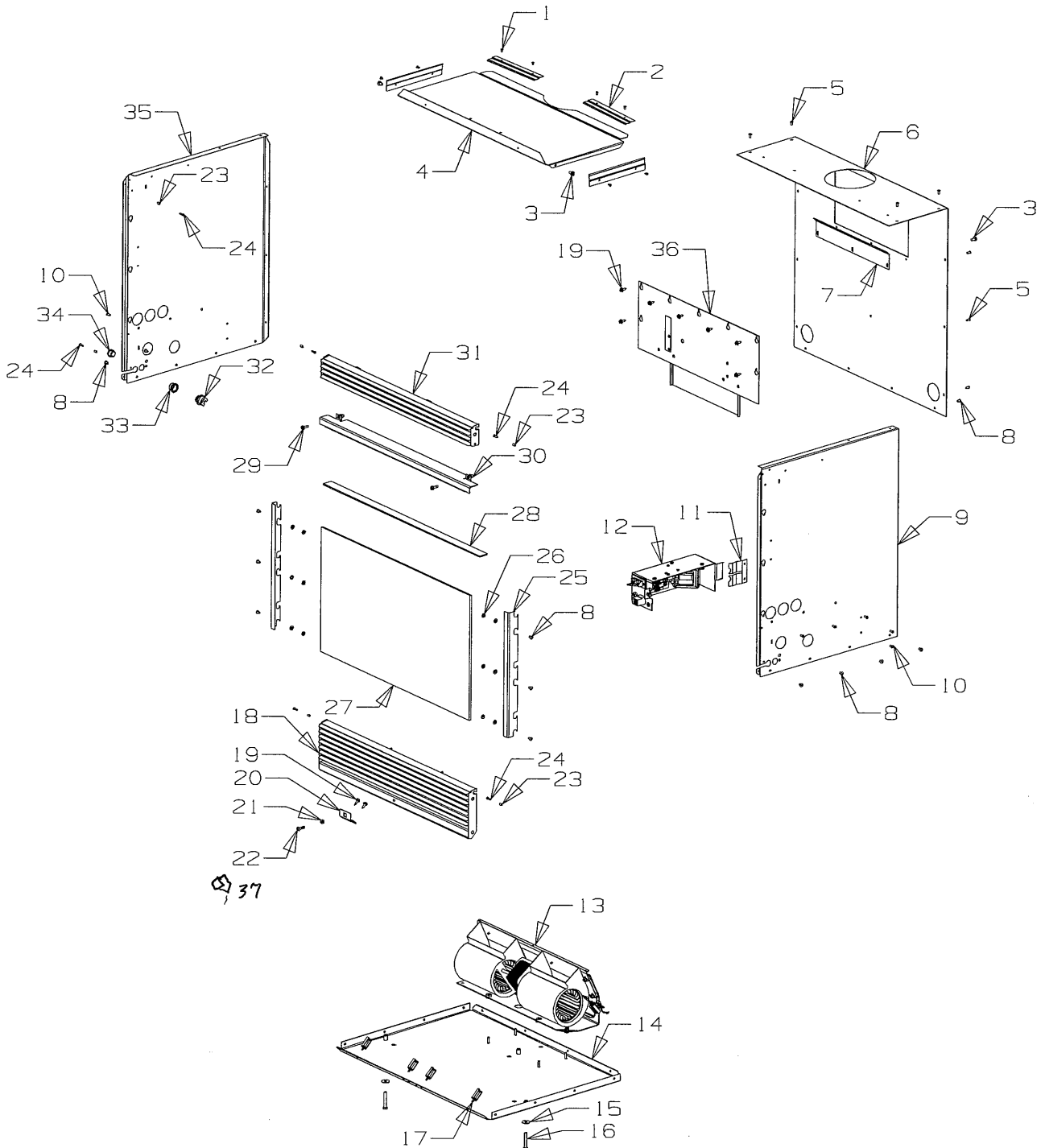
MADRID

Issue E
March 2005
REF # 790947



Masport®

SOFIA
NG/LPG



When ordering PLEASE QUOTE PART NUMBER & Description, NOT Illustration No.
Determine right or left hand side from standing in operating position



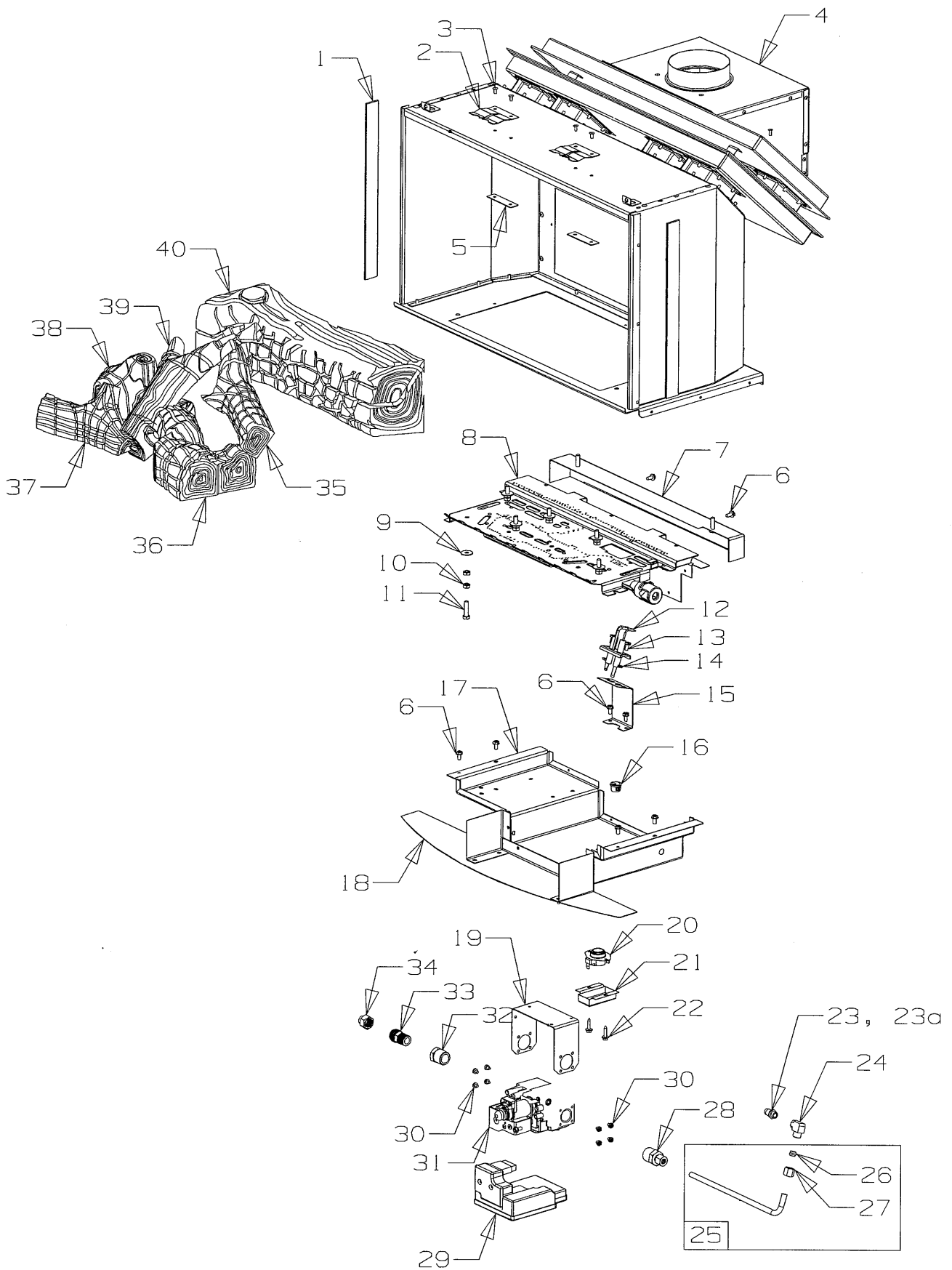
Item No	Part No	Description	Qty	Item No	Part No	Description	Qty
1	501767	Rivet-Pop 3.2 Dia x 3.2	8	22	503817	Stud-Dzus	1
2	986514	Case-Outer, Guide Rail	4	21	503818	Grommet-Dzus	1
3	503630	Screw; S/T 10 x .4	7	20	990281	Plate-Latch	1
4	986513	Case-Outer Top	1	23	985310	Bush	6
5	503586	Rivet 4.0 Dia	14	24	503165	Rivet-Pop, 3.2 Dia x 6.4	6
6	990331	Case-Outer, Rear	1	25	790308	Trim-Glass, Side	2
7	990335	Bracket-Support, Diverter	1	26	501330	Washer, Flat 5 x 10 x 1.0	12
8	503272	Rivet-Pop 4.8 Dia x 4.8	18	27	790300	Glass Assy - 5 x 580 x 332	1
9	990332	Case-Outer, Side RH	1	28	700714	• Tape - 3 x 25 x 610	1
10	586167	Rivet-Pop 4.0 Dia x 4.8	16	29	503489	Screw, Set M5 x 16	2
11	991236	Retainer-Trim, Top Glass	1	30	790236	Trim-Glass, Top - Black (Incl. Tape)	1
12	790280	Control Box Assy	1	31	790261	Louvre Assy-Top - Black	1
13	790264	Fan Assy	1	32	502068	Clamp-Cable	1
14	990329	Base Assy	1	33	577089	Nut-Cable Clamp	1
15	503196	Washer-Flat, 1/4"	3	34	586734	Bush-Plastic	2
16	503794	Screw-Set M6 x 40	3	35	990333	Case-Outer, Side LH	1
17	590348	Saddle-Wire, Hi-Q	4	36	790471	Heatshield-Fan	1
18	790259	Grille-7 Louvre - Black	1	37	503816	<i>Receptade Dzus</i>	1
19	503704	Screw, S/T 8 x .5	9				

Bold Text = Assemblies
Bulleted Text = Items included in Assemblies



Masport®

SOFIA
NG/LPG

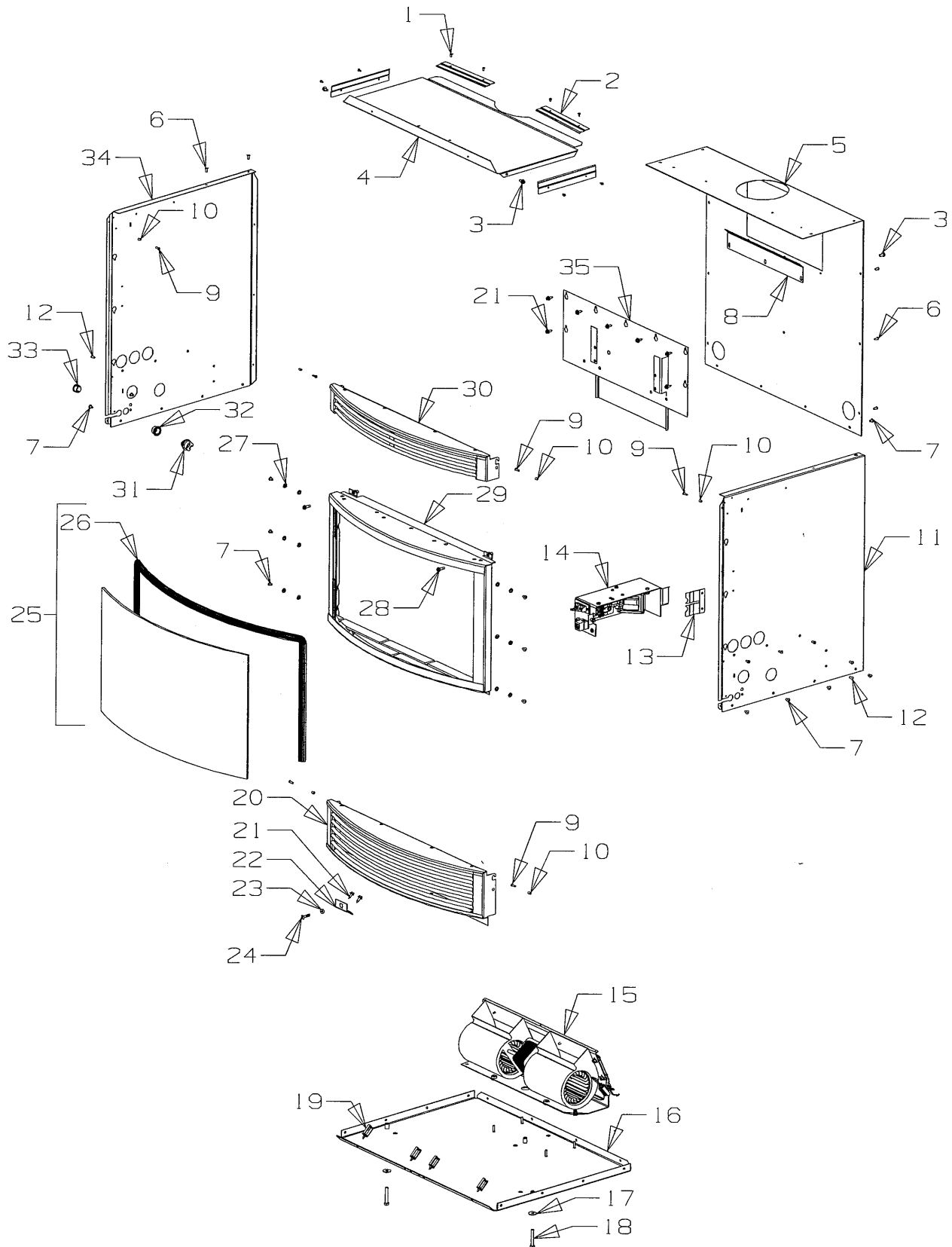


When ordering PLEASE QUOTE PART NUMBER & Description, NOT Illustration No.
Determine right or left hand side from standing in operating position



Item	Part No	Description	Qty	Item	Part No	Description	Qty
1	700714	Tape-Flat 3 x 5 x 610	1	22	503726	Screw; S/T 8 x .75	2
2	991236	Retainer-Top Glass Trim	2	23	590352	Injector-Main, 2.96	
3	503627	Rivet, 4 Dia	4			- Natural Gas	1
4	990325	Firebox Assy-Complete	1		590295	Injector-Main, 1.70 - LPG	1
5	991163	Plate-Reinforcing, Trim	2	24	590345	Fitting-Elbow 5/16" x 3/8"	1
6	503630	Screw; S/T 10 x .4	7	25	790270	Tube Assy-Main Injector	1
7	590322	Support-Log, Rear	1	26	588172	• Olive-Brass M8	2
8	790246	Burner Assy (incl. items 6-7, 9, 10-17, 19, 29, 20-22, 30, 32)		27	588393	• Nut-Compression 8mm	2
9	503196	Washer; Flat 1/4"	6	28	590120	Fittng-Flar 1/2" F X 3/8" BSP	1
10	503613	Nut, M6	12	29	590269	Ignition Module - Sit	1
11	501963	Screw, Set M6 x 25	6	30	503631	Screw, Pan M4 x 5	8
12	590267	Ignitor-Direct Spark	1	31	790268	Valve-Control	1
13	501857	Screw, Pan M5 x 10	6	32	591181	Fitting-Reducing 1/2" - 3/8" BSP	1
14	501856	Nut, M5	6	33	590130	Nut-Flare 1/2"	1
15	990357	Bracket-Mounting, Ignitor	1	34	589004	Nut-Flare 3/8"	1
16	586734	Bush-Plastic	1	35	790342	Log-Ceramic, Top RH	1
17	990406	Burner Tray Assy	1	36	790341	Log-Ceramic, Front RH	1
18	990384	Extension Assy-Burner Tray	1	37	790356	Log-Ceramic, Front LH	1
19	990321	Bracket-Mounting, Control	1	38	990339	Log-Ceramic, Middle LH	1
20	591119	Thermodisc-Fan	1	39	790343	Log-Ceramic, Middle	1
21	991304	Shield-Thermodisc Terminal	1	40	790338	Log-Ceramic, Rear	1

Bold Text = Assemblies
Bulleted Text = Items included in Assemblies

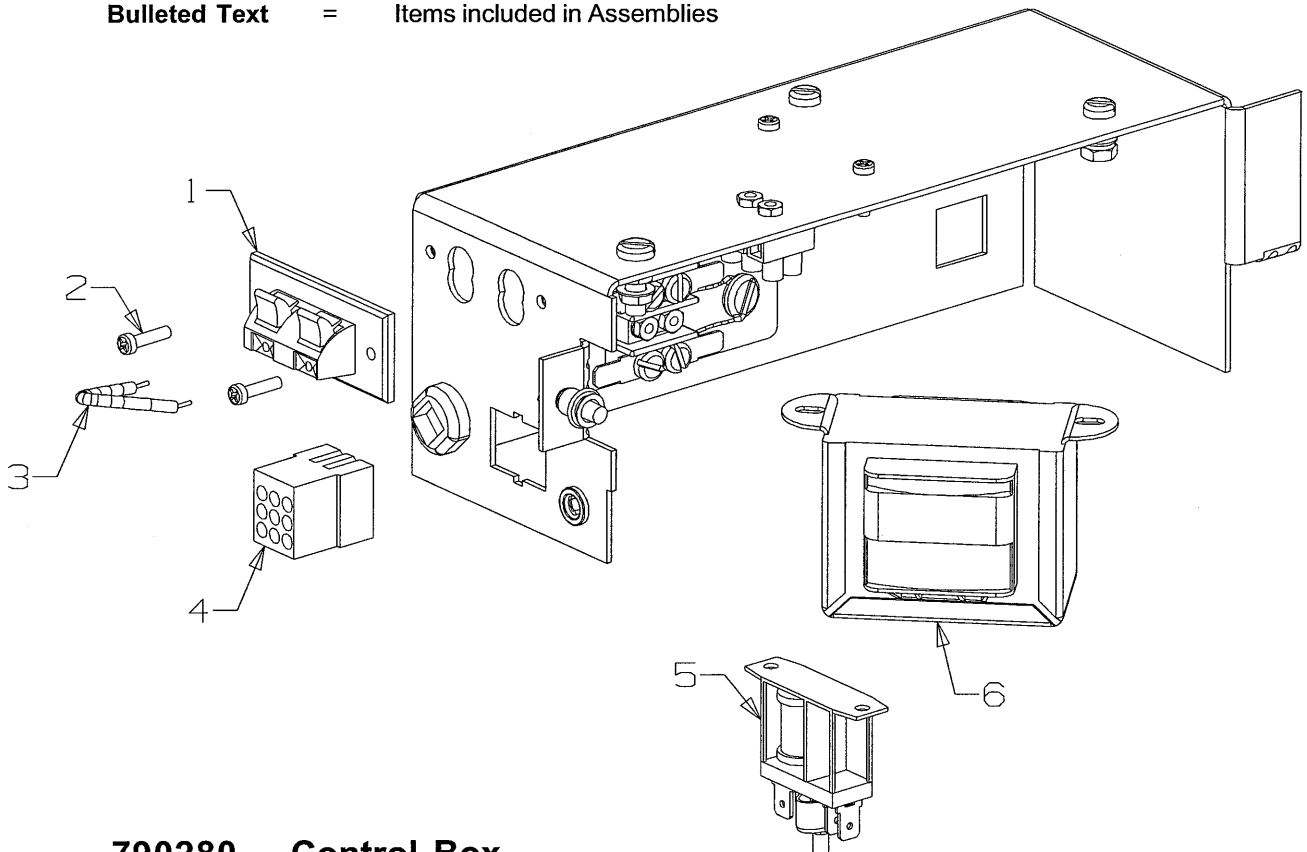


When ordering PLEASE QUOTE PART NUMBER & Description, NOT Illustration No.
Determine right or left hand side from standing in operating position



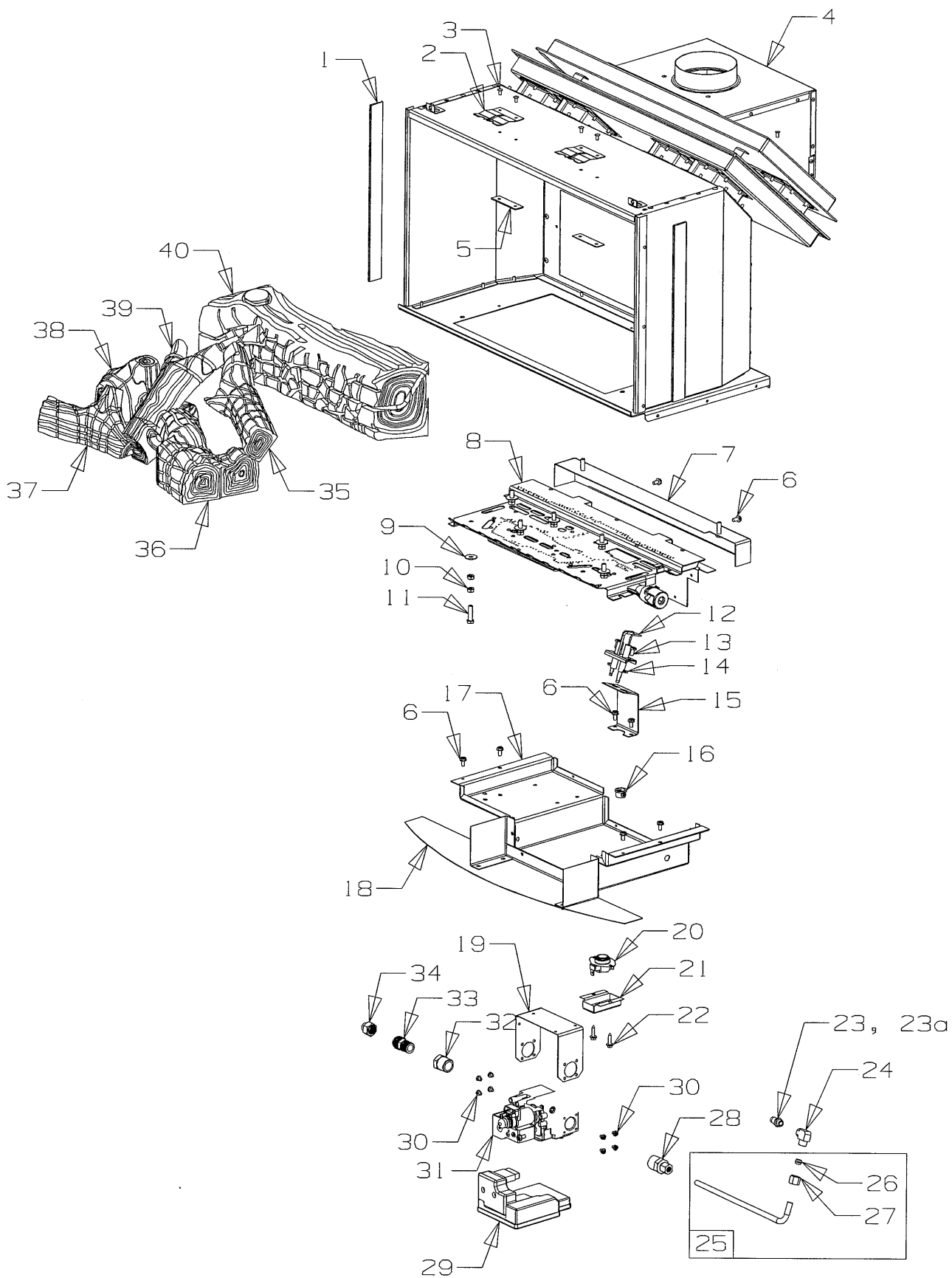
Item No	Part No	Description	Qty	Item No	Part No	Description	Qty
1	501767	Rivet-Pop 3.2 Dia x 3.2	8	19	590348	Saddle-Wire, Hi-Q	4
2	986514	Case-Outer, Guide Rail	4	20	790378	Grill-Assy, Lower - Black	1
3	503630	Screw; S/T 10 x .4	7	21	503704	Screw; S/T 8 x .5	9
4	986513	Case-Outer Top	1	22	990281	Plate-Latch	1
5	990331	Case-Outer, Rear	1	23	503818	Grommet-Dzus	1
8	990335	Bracket-Support, Diverter	1	24	503817	Stud-Dzus	1
6	503586	Rivet 4.0 Dia	14	25	790299	Glass & Tape 5 x 30 x 555	1
7	503272	Rivet-Pop 4.8 Dia x 4.8	18	26	700681	• Tape-Flat, 6 x 38 x 2m	1
9	501309	Rivet-Pop 3.2 Dia x 9.0	8	27	501330	Washer, Flat 5 x 10 x 1	12
10	985310	Bush	6	28	503489	Screw, Set M5 x 16	3
11	990332	Case-Outer, Side RH	1	29	790370	Frame Assy + Glass	1
12	586167	Rivet-Pop 4.0 Dia x 4.8	16	30	790391	Grill-Assy, Upper - Silver/Black	1
14	790280	Control Box Assy	1	31	502068	Clamp-Cable	1
13	991236	Retainer-Top Glass Trim	1	32	577089	Nut-Cable Gripper	1
15	790395	Fan Assy-2 Speed	1	33	586734	Bush-Plastic	1
16	990329	Base Assy-Fire	1	34	990333	Case-Outer, Side LH	1
17	503196	Washer; Flat 1/4"	3	35	790471	Panel-Access, Fan	1
18	503794	Screw, Set M6 x 40	3				

Bold Text = Assemblies
Bulleted Text = Items included in Assemblies



790280 Control Box

Item No	Part No	Description	Qty	Item No	Part No	Description	Qty
1	591303	Connector-Strip	1	4	590287	Loom-Control	1
2	503163	Screw-Pan M3 x 6	8	5	591256	Relay-24v AC	1
3	591279	Lead-Jumper, Wallstat	1	6	990292	Transformer Assy-24v	1



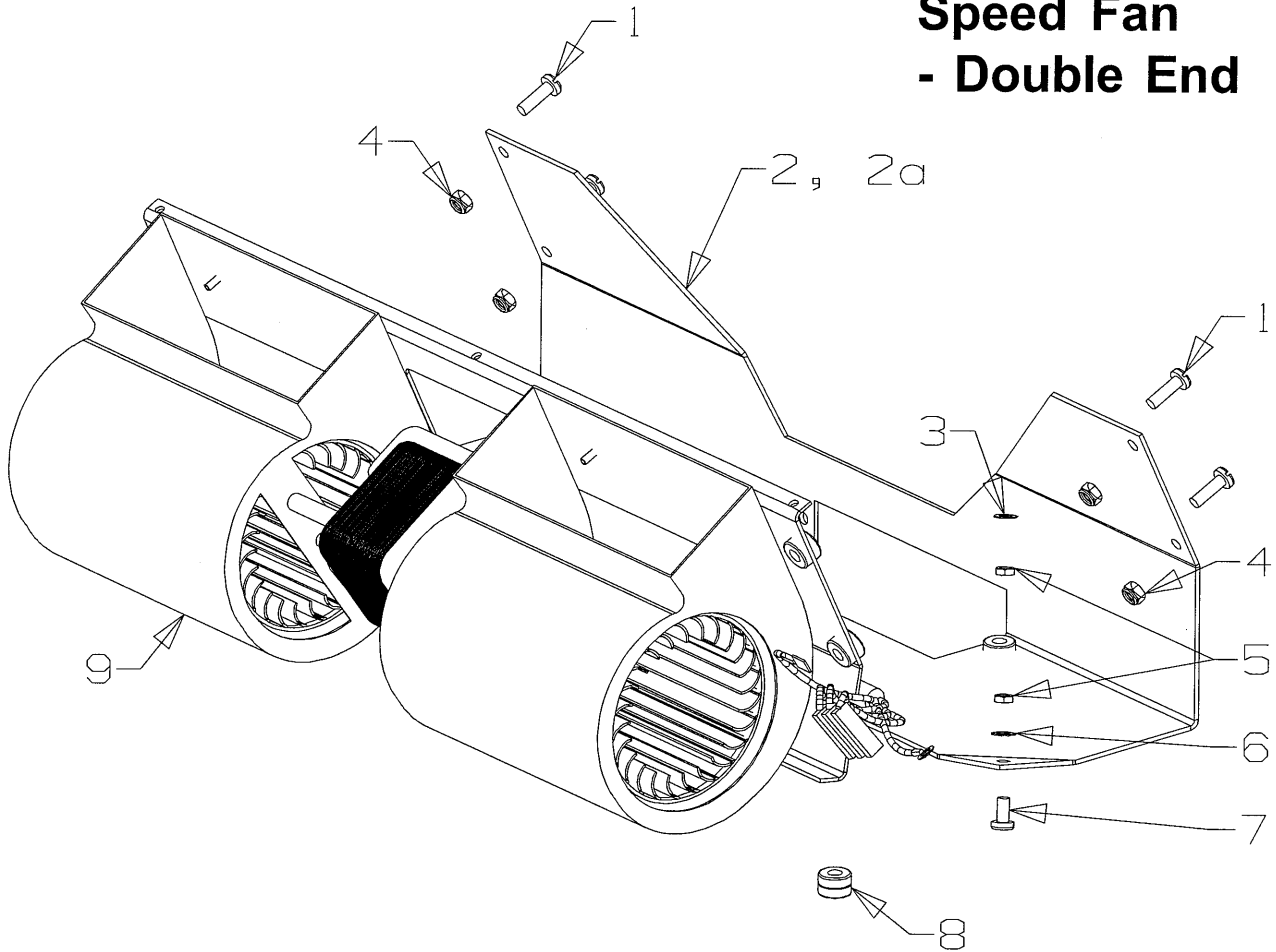


Item No	Part No	Description	Qty	Item No	Part No	Description	Qty
1	700714	Tape-Flat 3 x 5 x 610	1	22	503726	Screw; S/T 8 x .75	2
2	991236	Retainer-Top Glass Trim	2	23	590352	Injector-Main, 2.96 - Natural Gas	1
3	503627	Rivet, 4 Dia	4		590295	Injector-Main, 1.70 - LPG	1
4	990325	Firebox Assy-Complete	1	24	590345	Fitting-Elbow 5/16" x 3/8"	1
5	991163	Plate-Reinforcing, Trim	2	25	790270	Tube Assy-Main Injector	1
6	503630	Screw; S/T 10 x .4	7	26	588172	• Olive-Brass M8	2
7	590322	Support-Log, Rear	1	27	588393	• Nut-Compression 8mm	2
8	790246	Burner Assy (incl. items 6-7, 9, 10-17, 19, 29, 20-22, 30, 32)		28	590120	Fittng-Flar 1/2" F X 3/8" BSP	1
9	503196	Washer; Flat 1/4"	6	29	590269	Ignition Module - Sit	1
10	503613	Nut, M6	12	30	503631	Screw, Pan M4 x 5	8
11	501963	Screw, Set M6 x 25	6	31	790268	Valve-Control	1
12	590267	Ignitor-Direct Spark	1	32	591181	Fitting-Reducing 1/2" - 3/8" BSP	1
13	501857	Screw, Pan M5 x 10	6	33	590130	Nut-Flare 1/2"	1
14	501856	Nut, M5	6	34	589004	Nut-Flare 3/8"	1
15	990357	Bracket-Mounting, Ignitor	1	35	790342	Log-Ceramic, Top RH	1
16	586734	Bush-Plastic	1	36	790341	Log-Ceramic, Front RH	1
17	990406	Burner Tray Assy	1	37	790356	Log-Ceramic, Front LH	1
18	990384	Extension Assy-Burner Tray	1	38	990339	Log-Ceramic, Middle LH	1
19	990321	Bracket-Mounting, Control	1	39	790343	Log-Ceramic, Middle	1
20	591119	Thermodisc-Fan	1	40	790338	Log-Ceramic, Rear	1
21	991304	Shield-Thermodisc Terminal	1				

Bold Text = Assemblies
Bulleted Text = Items included in Assemblies



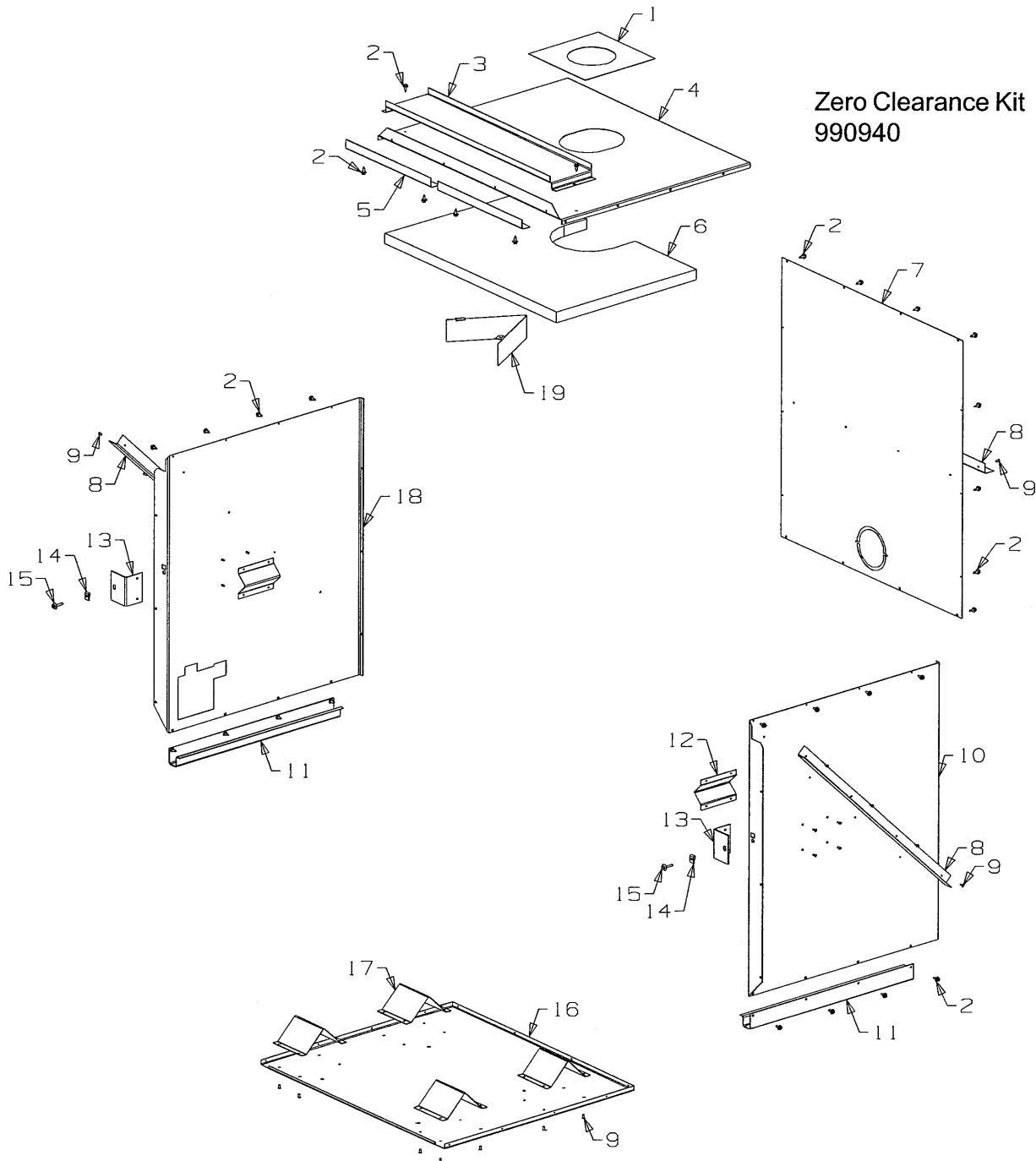
Two Speed Fan - Double End



790264 Fan Assembly - 2 Speed - Sofia

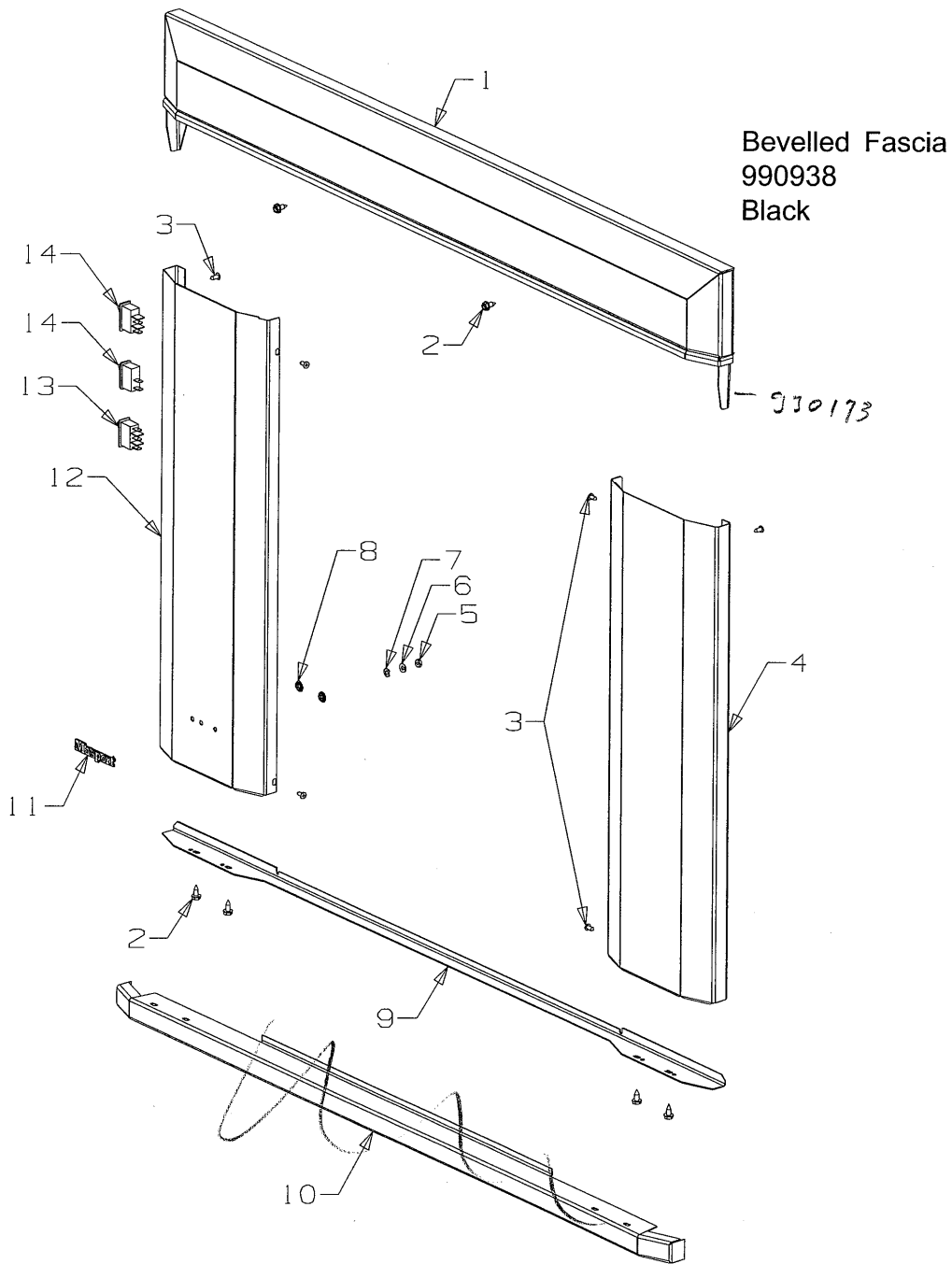
790395 Fan Assembly - 2 Speed - Madrid *EVS*

Item No	Part No	Description	Qty	Item No	Part No	Description	Qty
1	501580	Screw, Pan M5 x 16	4	8	503671	Grommet-Fan, 14 ID x 6 OD	4
2	590394	Fan-Double End - 3 Speed - Sofia	1	9	990265	Plate-Mounting, Fan	1
2a	590390	Fan-Double End - 3 Speed - Madrid	1			NOT ILLUSTRATED	
3	503106	Washer, Flat M5	2				
4	503511	Nut, M5	4				
5	501856	Nut, M5	2		591321	Insulator-Utilux	4
6	503371	Washer, Fan Disc 5 ID x 10 OD	1		590279	Loom-Adaptor	1
7	501857	Screw, Pan M5 x 10	1		590284	Lead-Thermodisc	1



Zero Clearance Kit
990940

Item No	Part No	Description	Qty	Item No	Part No	Description	Qty
1	990150	Plate-Cover, Flue	1	10	990068	Panel-Side, RH	1
2	503704	Screw, S/T 8 x .5	36	11	990241	Rail-Bearer	2
3	990148	Heatshield-Lintel	1	12	990072	Spacer-Inner	2
4	990070	Panel-Top	1	13	990149	Bracket-Restraint	2
5	990186	Deflector-Hot Air	2	14	503388	Nut-Spire	2
6	585405	Insulation-Outer Case, Rockwool	1	16	990067	Base	1
7	990073	Panel-Rear	1	17	990071	Spacer-Base	4
8	990074	Spacer-Outer	3	18	990069	Panel-Side, LH	1
9	503429	Rivet-Pop, 3.2 Dia x 4.8	36	19	990387	Spreader-Flow	1



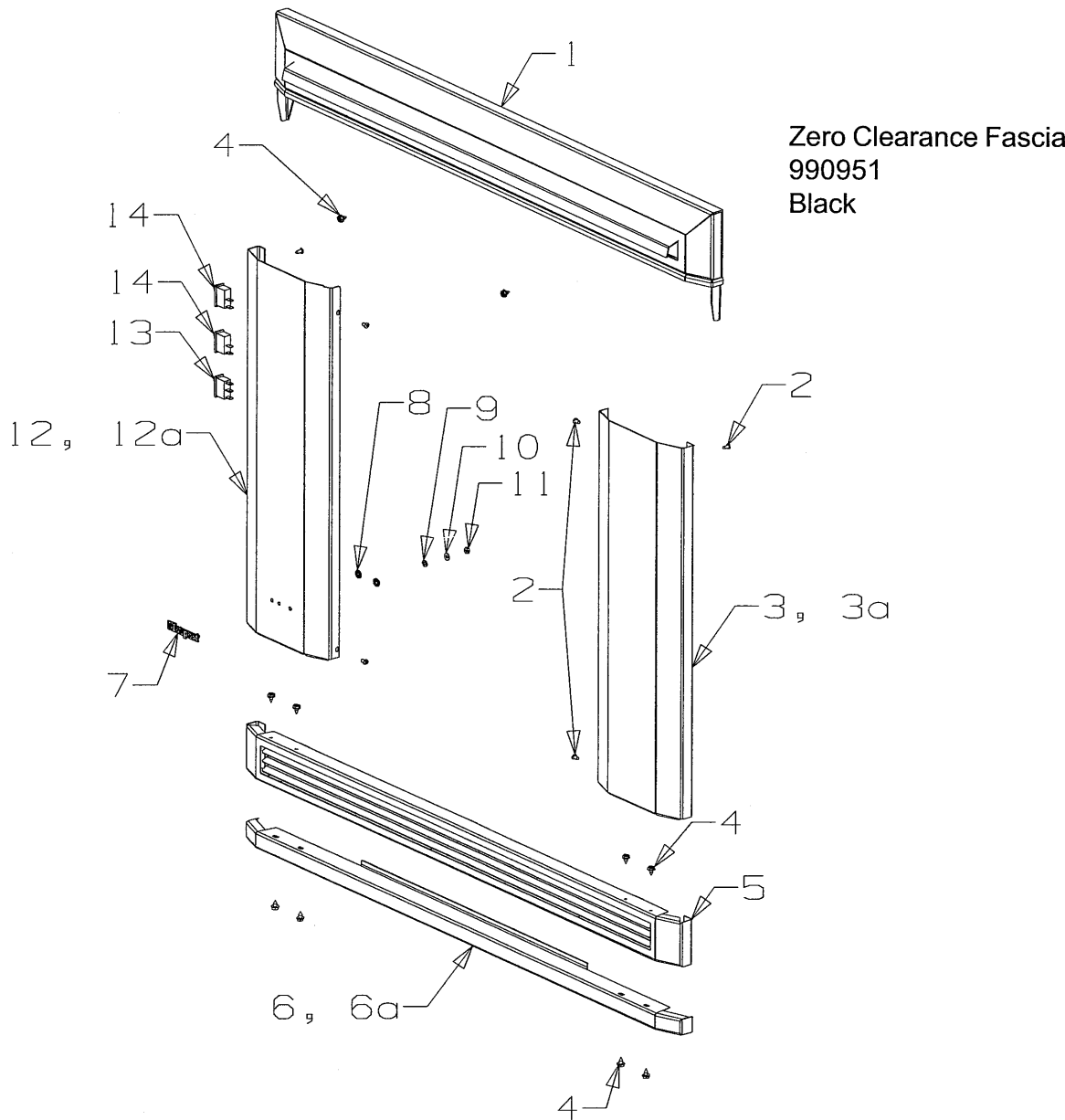
Item No	Part No	Description	Qty	Item No	Part No	Description	Qty
1	990225	Fascia Assy-Top	1	10	790183	Trim-Hearth, 25mm - Black	1
2	503259	Screw, S/T 10 x .5	6	11	584581	Badge - Gold	1
3	586737	Screw, S/T 8 x 10	6	12	790315	Fascia-Side, LH - Black	1
4	790170	Fascia-Side, RH - Black	1	13	503674	Switch-Fan, ON/OFF/ON	1
5	503622	Nut, M4	1	14	503260	Switch-Burner, HI/LO	2
6	503593	Washer, Flat 4 x 9 x 1	1			NOT ILLUSTRATED	
7	503371	Washer, Fan Disc 5 ID x 10 OD	1				
8	503381	Clip-Starlock, 4 Dia	2		590290	Decal-Control	1
9	990172	Stiffener - Black	1		590291	Lead-Earth	1

When ordering PLEASE QUOTE PART NUMBER & Description, NOT Illustration No.
Determine right or left hand side from standing in operating position



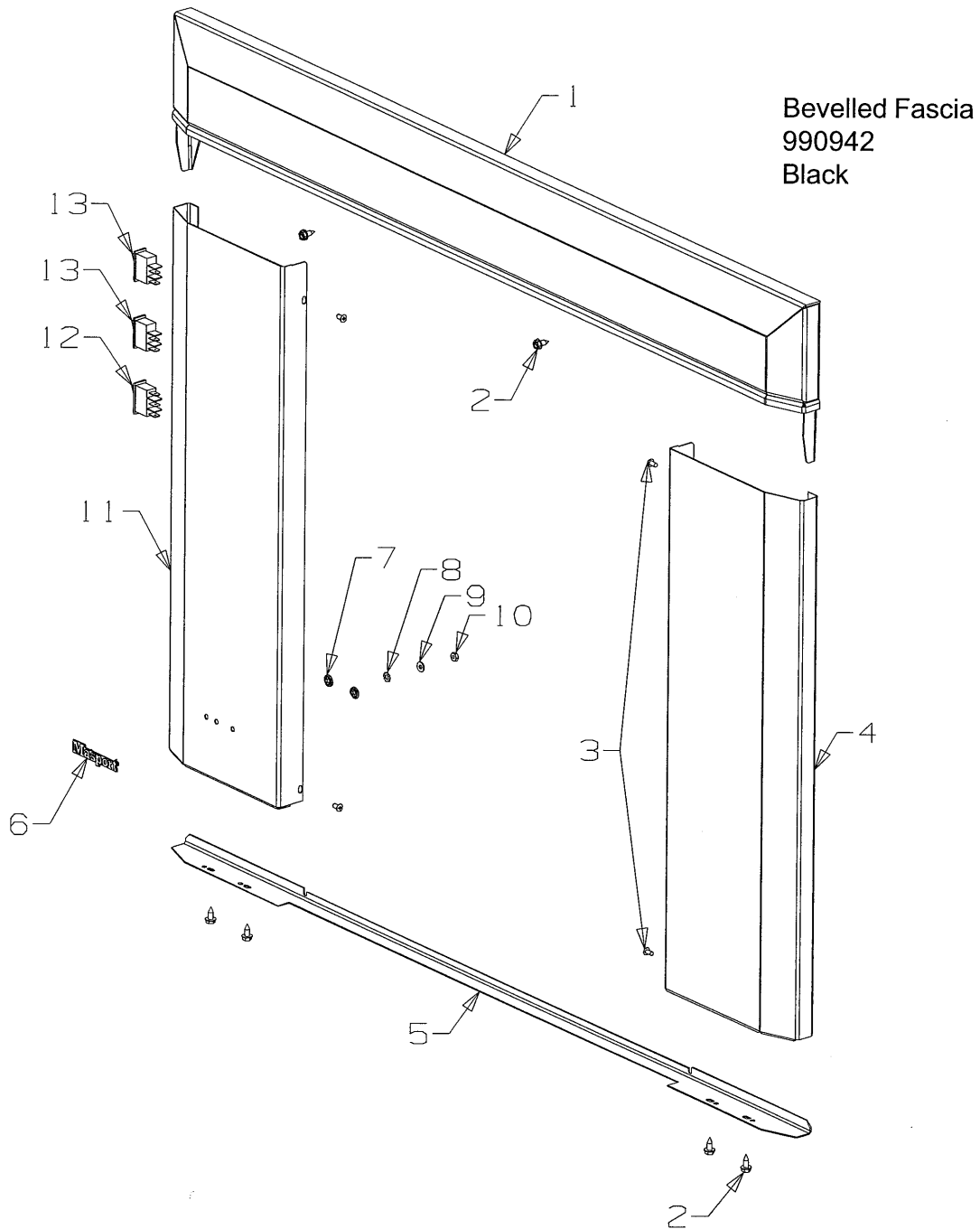
Masport®

**SOFIA / MADRID
FASCIA ASSY**



Item No	Part No	Description	Qty	Item No	Part No	Description	Qty
1	790243	Panel Assy-Top - Black	1	10	503593	Washer, Flat 4 x 9 x 1	1
2	586737	Screw, S/T 8 x 10	10	11	503622	Nut, M4	1
3	790170	Fascia-Side, RH - Black - Sofia	1	12	790315	Fascia-Side, LH - Black - Sofia	1
3a	790400	Fascia-Side, RH - Black - Madrid	1	12a	790402	Fascia-Side, LH - Black - Madrid	1
4	503259	Screw, S/T 10 x .5	10	13	503674	Switch-Fan, ON/OFF/ON	1
5	790198	Louvre Assy - Black	1	14	503260	Switch-Burner, HI/LO	2
6	790183	Trim-Hearth, 25mm - Black	1	NOT ILLUSTRATED			
6a	790180	Trim-Hearth, 50mm - Black	1				
6b	990184	Trim-Hearth, 100mm - Black	1				
7	584581	Badge - Gold	1		590290	Decal-Control	1
8	503381	Clip-Starlock, 4 Dia	2		590291	Lead-Earth	1
9	503371	Washer, Fan Disc 5 ID x 10 OD	1				

When ordering PLEASE QUOTE PART NUMBER & Description, NOT Illustration No.
Determine right or left hand side from standing in operating position



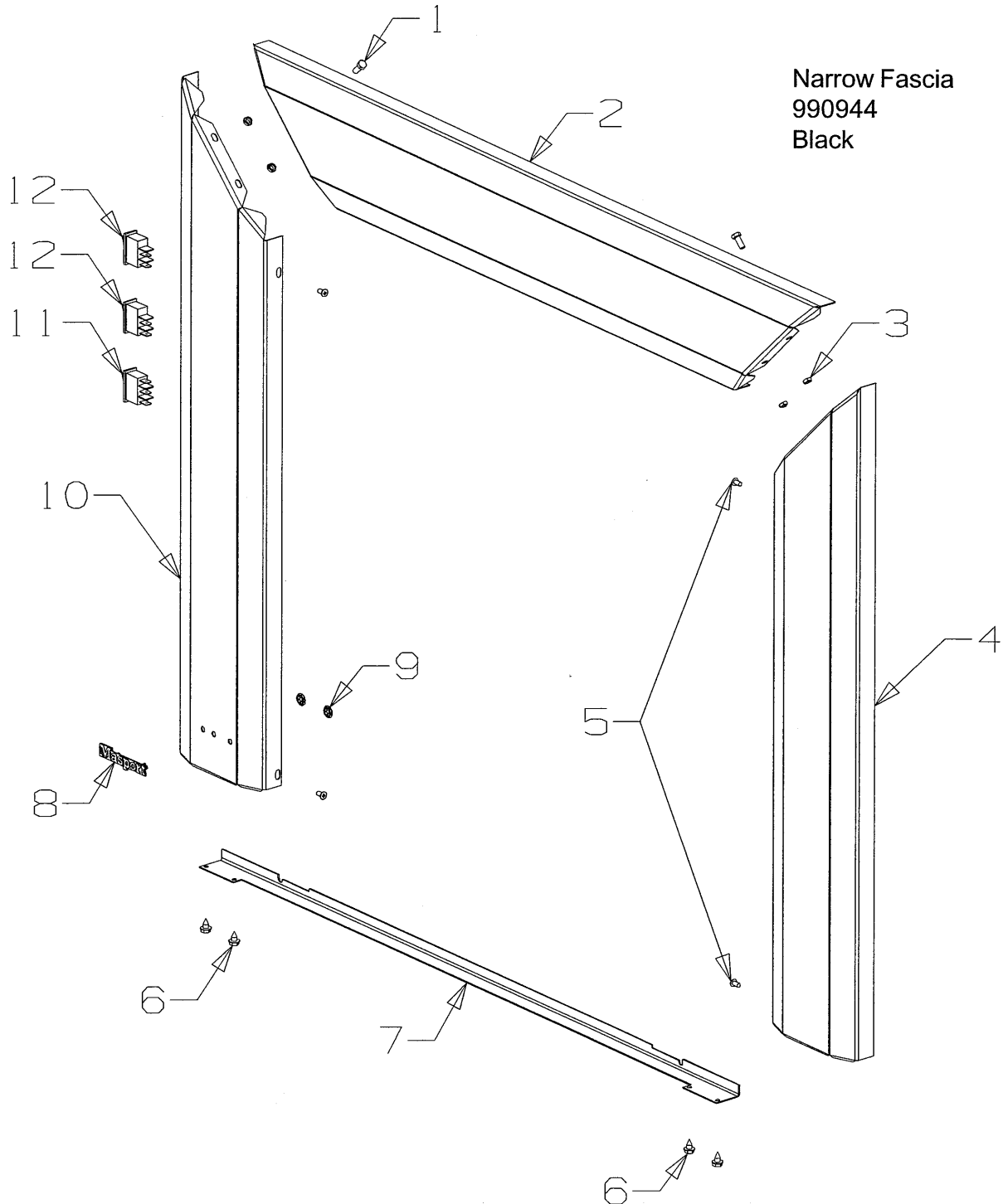
Item No	Part No	Description	Qty	Item No	Part No	Description	Qty
1	990225	Panel Assy-Top - Black	1	10	503622	Nut, M4	1
2	503259	Screw, S/T 10 x .5	6	11	790402	Fascia-Side, LH - Black	1
3	586737	Screw, S/T 8 x 10	6	12	503674	Switch-Fan, ON/OFF/ON	1
4	790400	Fascia-Side, RH - Black	1	13	503260	Switch-Burner, HI/LO	2
5	990172	Stiffener - Black	1			NOT ILLUSTRATED	
6	584581	Badge - Gold	1		590290	Decal-Control	1
7	503381	Clip-Starlock, 4 Dia	2		590291	Lead-Earth	1
8	503371	Washer, Fan Disc 5 ID x 10 OD	1				
9	503593	Washer, Flat 4 x 9 x 1	1				

When ordering PLEASE QUOTE PART NUMBER & Description, NOT Illustration No.
Determine right or left hand side from standing in operating position



Masport®

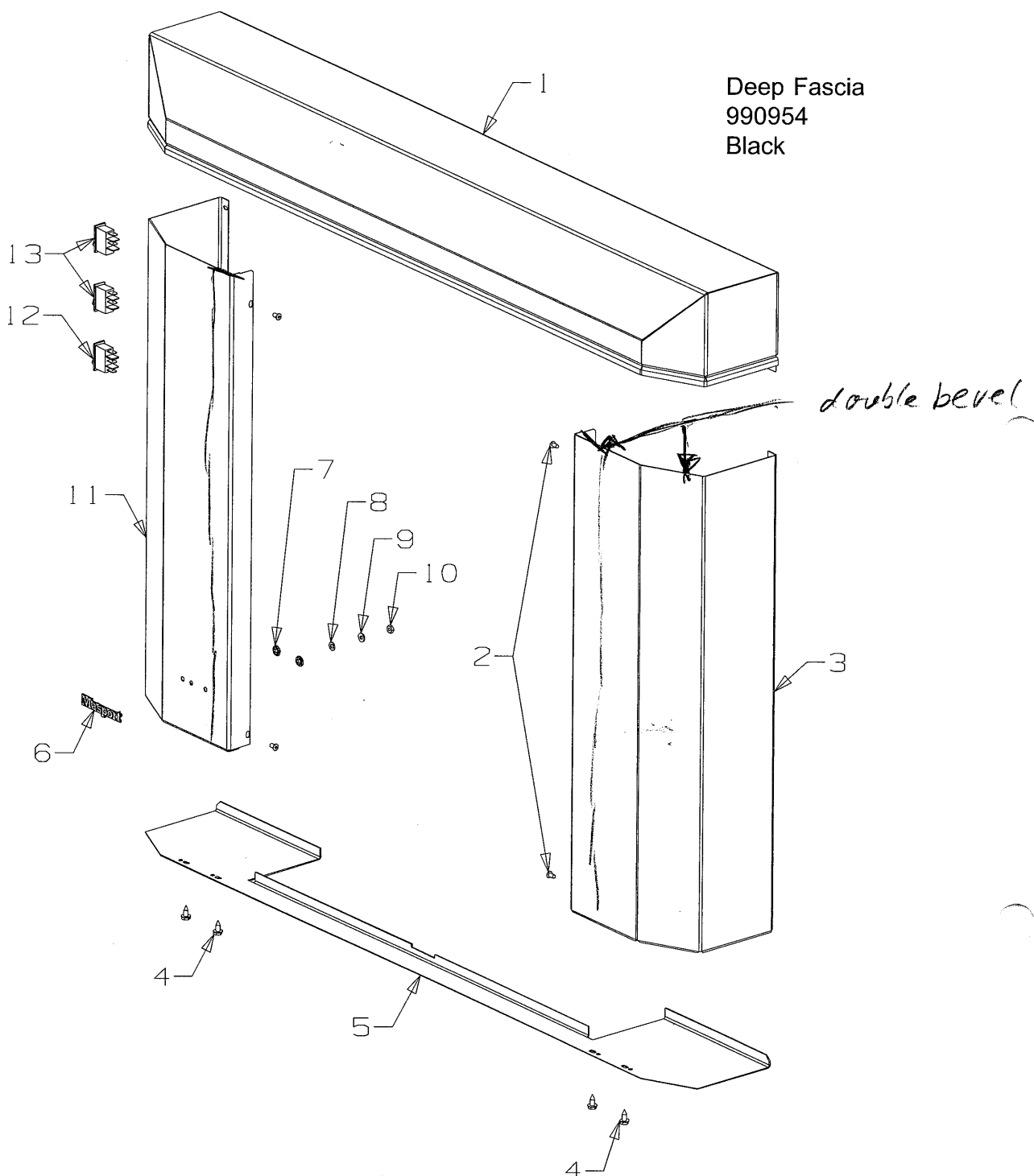
**SOFIA / MADRID
FASCIAASSY**



Narrow Fascia
990944
Black

Item No	Part No	Description	Qty	Item No	Part No	Description	Qty
1	501508	Screw, Set M5 x 12	4	7	990054	Stiffener - Black	1
2	790218	Panel Assy-Top - Black	1	8	584581	Badge - Gold	1
3	501856	Nut, M5 HEX	4	9	503381	Clip-Starlock, 4 Dia	2
4	790418	Fascia-Side, RH - Black	1	10	790419	Fascia-Side, RH - Black	1
5	586737	Screw, S/T 8 x 10	4	11	503674	Switch-Fan, ON/OFF/ON	1
6	503259	Screw, S/T 10 x .4	4	12	503260	Switch-Burner, HI/LO	2

When ordering PLEASE QUOTE PART NUMBER & Description, NOT Illustration No.
Determine right or left hand side from standing in operating position

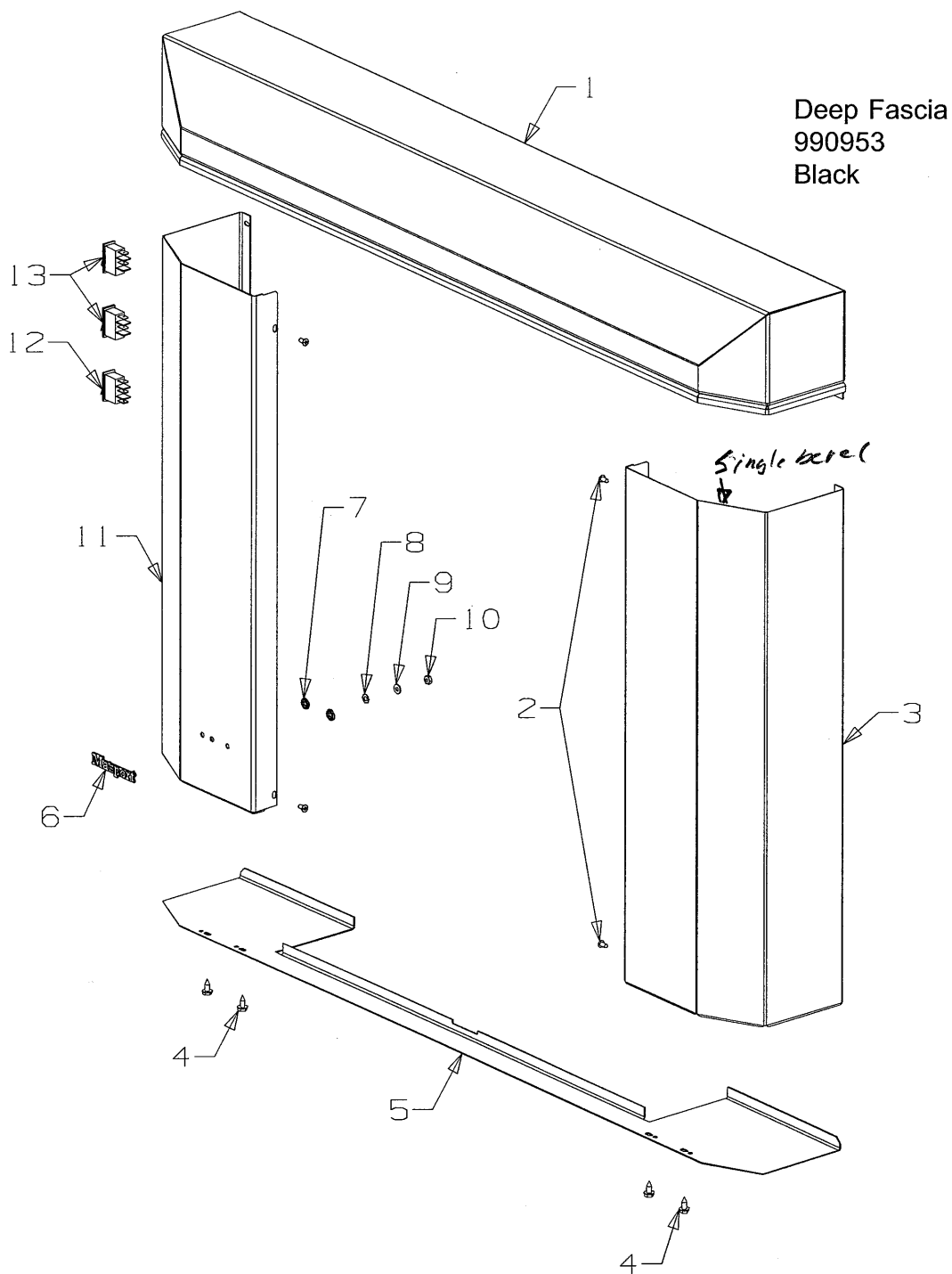


Deep Fascia
990954
Black

double bevel

Item No	Part No	Description	Qty	Item No	Part No	Description	Qty
1	790437	Panel Assy-Top - Black	1	8	503371	Screw, Set M5 x 12	4
2	586737	Screw, S/T 8 x 10	4	9	503593	Nut, M5 HEX	4
3	790442	Fascia-Side, RH - Black	1	10	503622	Nut	1
4	503259	Screw, S/T 10 x .4	4	11	790441	Fascia-Side, LH - Black	1
5	990439	Stiffener - Black	1	12	503674	Switch-Fan, ON/OFF/ON	1
6	584581	Badge - Gold	1	13	503260	Switch-Burner, HI/LO	2
7	503381	Clip-Starlock, 4 Dia	2				

When ordering PLEASE QUOTE PART NUMBER & Description, NOT Illustration No.
Determine right or left hand side from standing in operating position

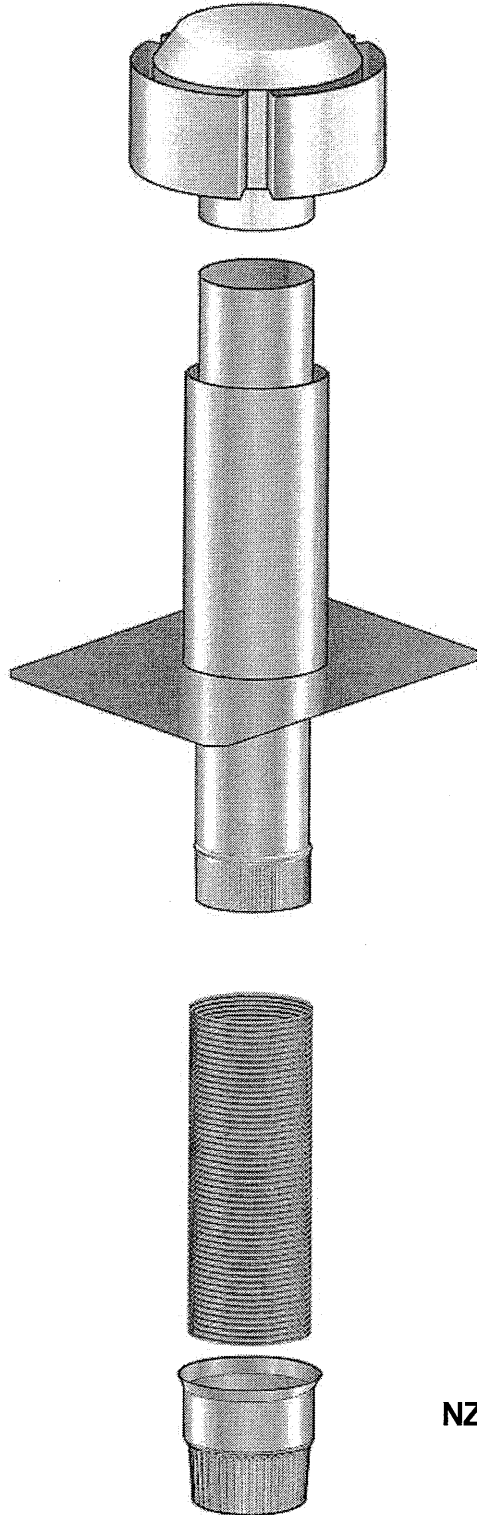


Item No	Part No	Description	Qty	Item No	Part No	Description	Qty
1	790437	Panel Assy-Top - Black	1	10	503622	Nut, M4	1
2	586737	Screw, S/T 8 x 10	6	11	790435	Fascia-Side, LH - Black	1
3	790436	Fascia-Side, RH - Black	1	12	503674	Switch-Fan, ON/OFF/ON	1
4	503259	Screw, S/T 10 x .4	6	13	503260	Switch-Burner, HI/LO	2
5	990439	Stiffener - Black	1			NOT ILLUSTRATED	
6	584581	Badge - Gold	1				
7	503381	Clip-Starlock, 4 Dia	2				
8	503371	Screw, Set M5 x 12	1		590290	Decal-Contol	1
9	503593	Washer, Flat 4 x 9 x 1	1		590291	Lead-Earth	1

When ordering PLEASE QUOTE PART NUMBER & Description, NOT Illustration No.
Determine right or left hand side from standing in operating position



MASONRY FLUE KIT



NZ ONLY

Flue Kit Part Number: 588637

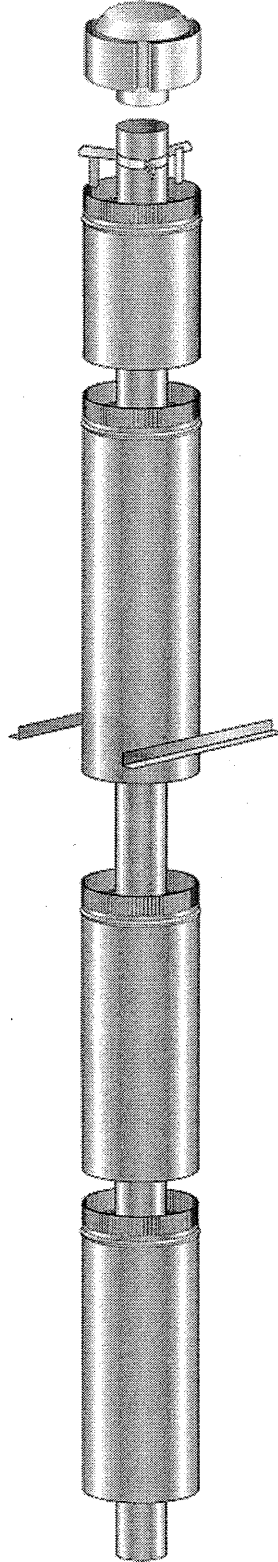
When ordering PLEASE QUOTE PART NUMBER & Description, NOT Illustration No.
Determine right or left hand side from standing in operating position



Masport

SOFIA
NG/LPG

INBUILT ZERO CLEARANCE FLUE KIT



NZ ONLY

Flue Kit Part Number: 588650

When ordering PLEASE QUOTE PART NUMBER & Description, NOT Illustration No.
Determine right or left hand side from standing in operating position



Part No	Description	Qty
NOT ILLUSTRATED		
556123	Paint, Touch Up - Black	1
503054	Tie-Nylon, Cable	8
503662	Retainer-Cable, Jet Press	1
788666	Embers-Medium Coal, 12 oz. bag	1
588507	Terminal-Utiluz	1
588068	Loom-3 Pin, Fan	1
590347	Loom-Ignition Module	1
590288	Lead-Rectifier (Control Box)	1
591289	Lead-Relay, T/S connect (Control Box)	1
591290	Lead-Relay, Mains connect (Control Box)	1
590313	Lead-Loop Switch	1
590273	Lead-Earth, Piezo (Burner Tray Assy)	
590271	Lead-Spark, 4.8mm x 2.8mm x 300mm (Burner Tray Assy)	1
590272	Lead-Flame, 4.8mm x 4.8mm x 300mm (Burner Tray Assy)	1
503816	Receptable-DZUS (Latch Plate-Grille)	1
790369	Panel-Brick, Curved - Madrid	1
790489	Kit-Thermodisc	1
590340	Owners Manual	1

HEAD OFFICE - NEW ZEALAND

1 - 37 Mt Wellington Highway
Panmure, Auckland 6
Phone: (9) 571 1200
Fax: (9) 571 5864

HEAD OFFICE - AUSTRALIA

P.O. Box 533, Braeside
Postcode: 3195
Phone: 1300 366 225
Fax: 1800 035 594